

# Technical and Dimensional Data

---

# Saf-T Vent<sup>®</sup>

## Appliance Adapters

---

### AL 29-4C<sup>®</sup> Stainless Steel Special Gas Vent



130 Industrial Boulevard  
Turners Falls, MA 01376

Call (800) 772-0739  
Fax (413) 863-4803

[www.heat-fab.com](http://www.heat-fab.com)

© Copyright 2002 Heat-Fab, Incorporated  
Saf-T Vent is a registered trademark of Heat-Fab, Inc.  
AL29-4C is a registered trademark of ATI Properties, Inc.

Pub.#11701-070605

# Saf-T Vent<sup>®</sup> Appliance Adapters

---

This document includes adapters from all of Heat-fab's Saf-T Vent brands – EZ Seal, SC, CI, and CI Plus. The pipes and fittings from one brand are compatible with appliance adapters of another. For more details please refer to Technical Bulletin # 11719.

<b>ADAPTER</b>	<b>PAGE</b>
<b>APPLIANCES, MAKES AND MODELS</b>	<b>20</b>
<b>3" ADAPTERS</b>	<b>3</b>
<b>4" ADAPTERS</b>	<b>7</b>
<b>OVER THE COLLAR ADAPTERS</b>	<b>10</b>
<b>INTO THE FLUE COLLAR ADAPTERS</b>	<b>10</b>
<b>UNIVERSAL BOILER ADAPTERS</b>	<b>11</b>
<b>FLANGE TYPE ADAPTERS</b>	<b>12</b>
<b>AERCO ADAPTERS</b>	<b>13</b>
<b>BUDERUS ADAPTERS</b>	<b>15</b>
<b>FULTON MUFFLER ADAPTERS</b>	<b>17</b>
<b>HYDROTHERM ADAPTERS</b>	<b>15</b>
<b>LAARS ADAPTERS</b>	<b>16</b>
<b>LOCHINVAR ADAPTERS</b>	<b>16</b>
<b>NORITZ ADAPTERS</b>	<b>17</b>
<b>P-K MACH ADAPTERS</b>	<b>17</b>
<b>RAYPAK ADAPTERS</b>	<b>18</b>
<b>RINNAI ADAPTERS</b>	<b>19</b>

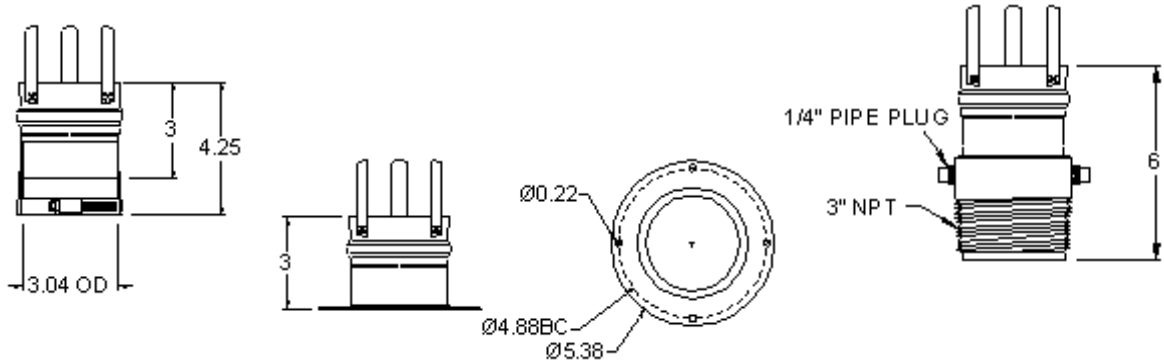
Heat-fab, Inc.

---

130 Industrial Boulevard • Turners Falls, MA 01376  
Phone 800 772 0739 • Fax 413 863 4803 • www.heat-fab.com

# Saf-T Vent® Appliance Adapters

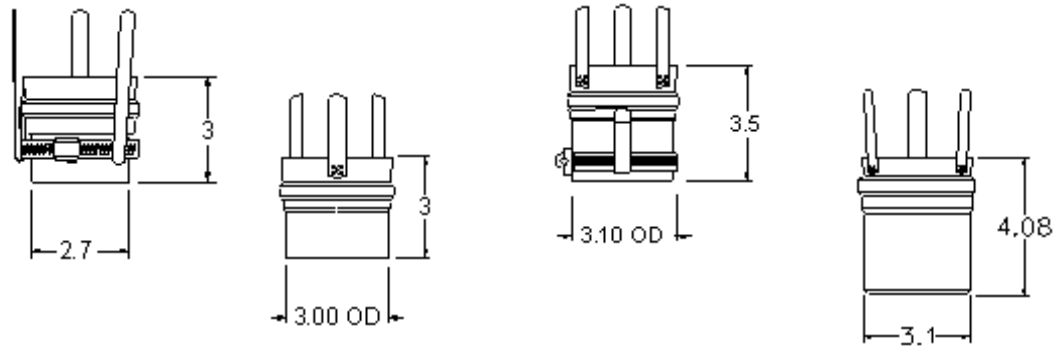
**3" Adapters** —Adapters for appliances with 3" flue collars.



**9301AMTK**

**9301CRWN**

**9301FUL**

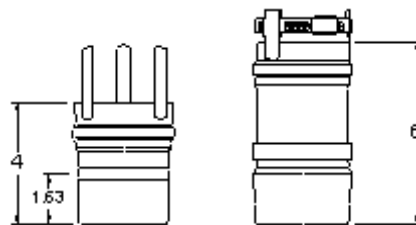


**9301ICP**

**9301THI**

**9301UTI**

**9301VSMN**



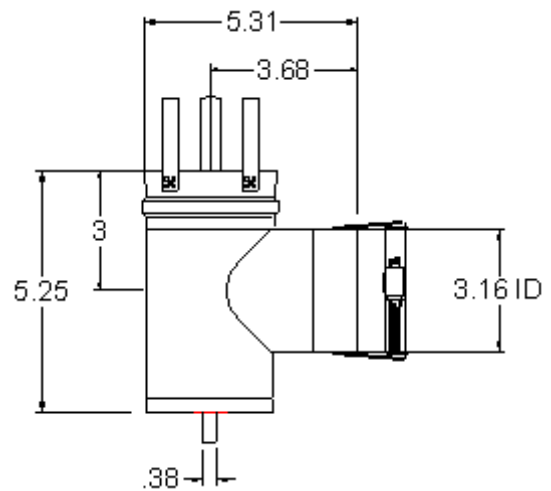
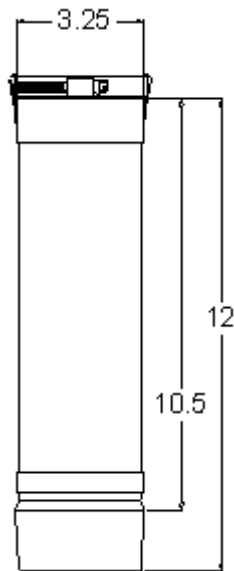
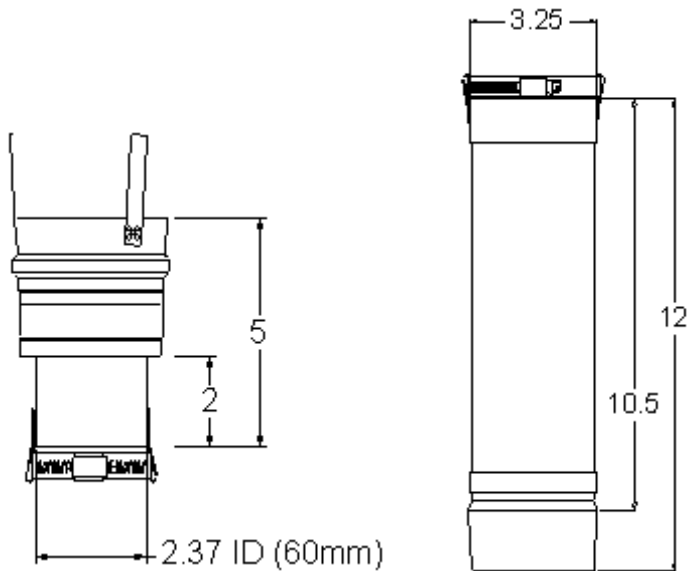
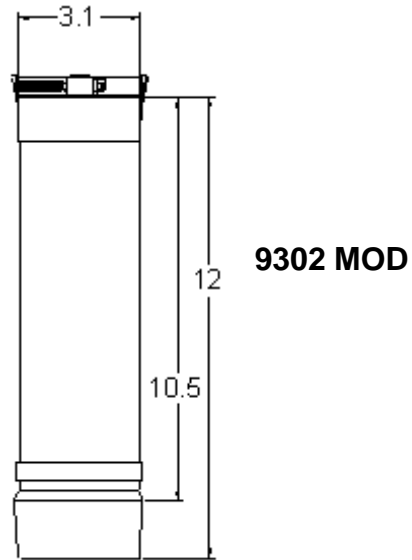
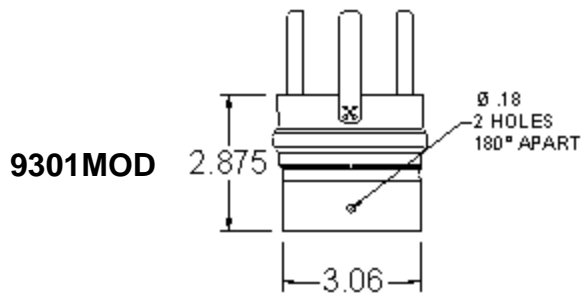
**Burnham  
(Gasketed) to  
Saf-T Vent EZ**

**Saf-T Vent EZ to  
Burnham  
(Gasketed)**

**9353BUREZ**

# Saf-T Vent<sup>®</sup> Appliance Adapters

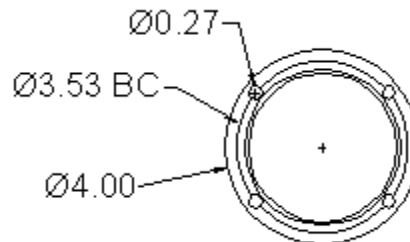
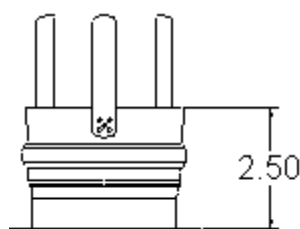
**3" Adapters** —Adapters for appliances with 3" flue collars.



**9301PAL**

**9302PL**

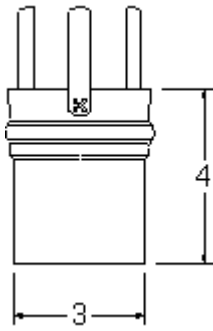
**93PLSTEE**



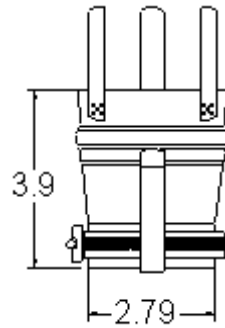
**9301VAIL**

# Saf-T Vent<sup>®</sup> Appliance Adapters

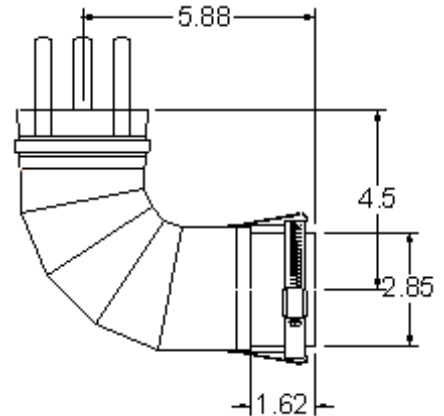
**3" Adapters** —Adapter for appliances with 3" flue collars.



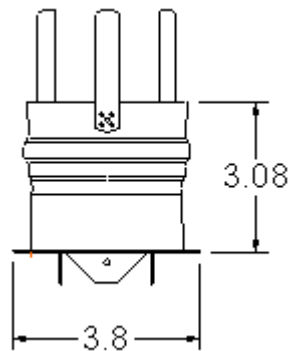
**9301BSH**



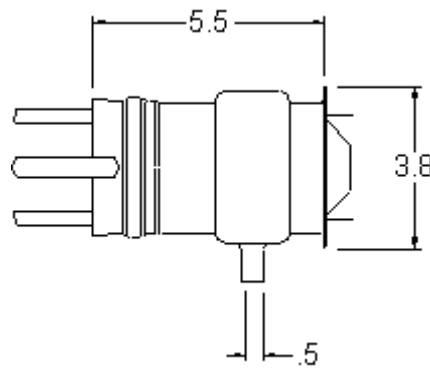
**9301CPVC**



**9314SMI**



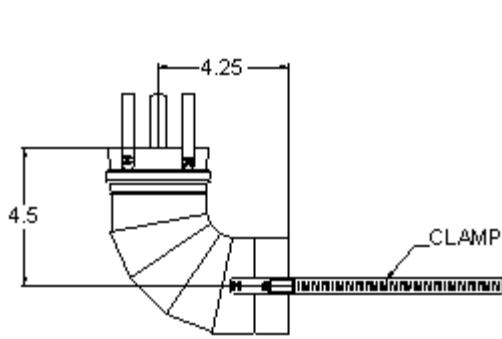
**9SF4406**



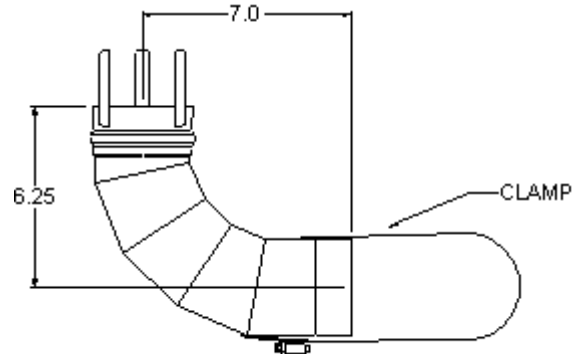
**9SF440697**

# Saf-T Vent<sup>®</sup> Appliance Adapters

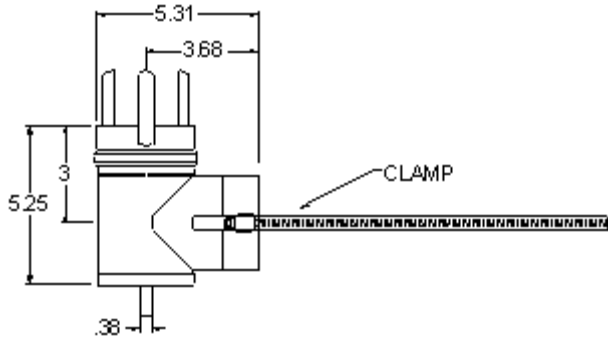
## 3" Weil-McLain Adapters — Adapters for Weil-McLain appliances.



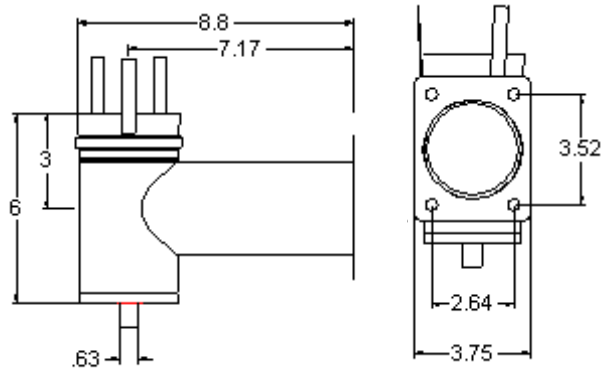
**93WMSTLH**



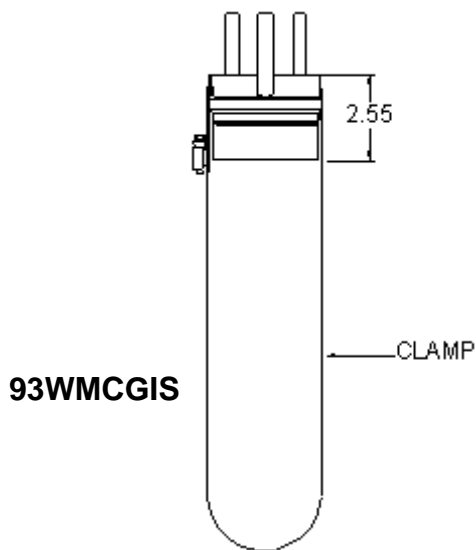
**93WMSTLV**



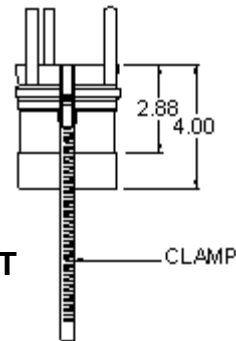
**93WMSTEE**



**93WMSTXL**



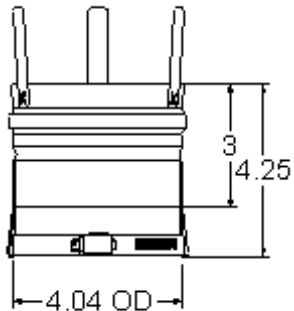
**93WMCGIS**



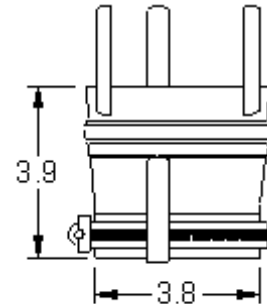
**93WMSTRT**

# Saf-T Vent<sup>®</sup> Appliance Adapters

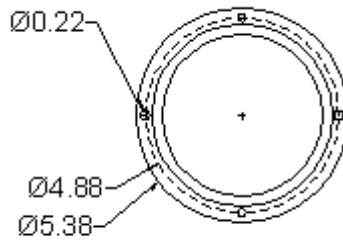
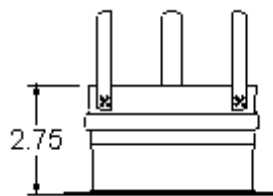
**4" Adapters** —Adapters for appliances with 4" flue collars.



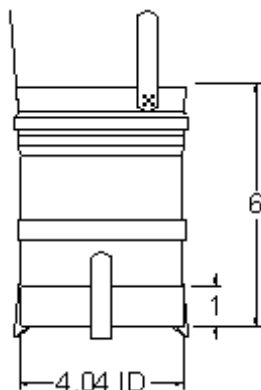
**9401AMTK**



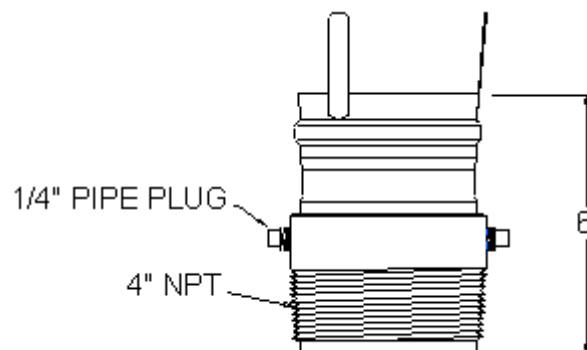
**9401CPVC**



**9401CRWN**



**9401DUN**

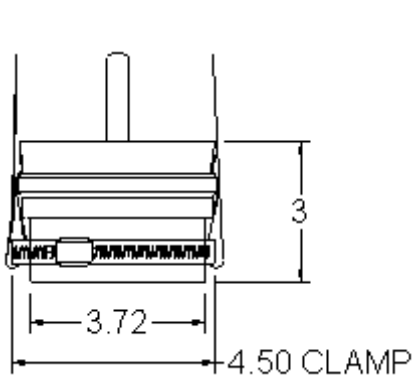


**9401FUL**

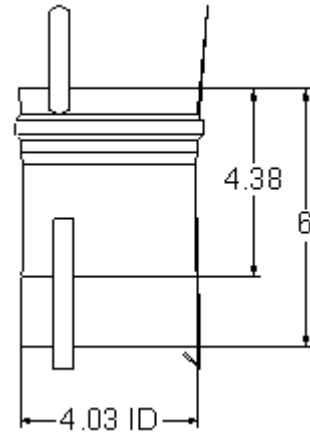
# Saf-T Vent<sup>®</sup> Appliance Adapters

---

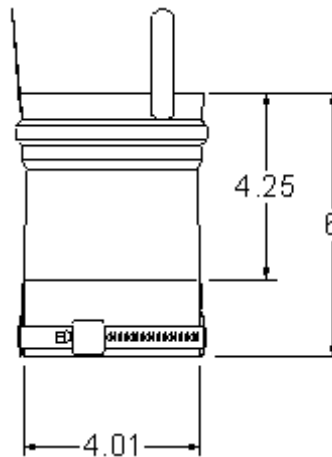
**4" Adapters** —Adapters for appliances with 4" flue collars.



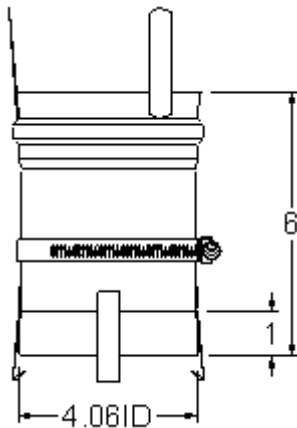
**9401ICP**



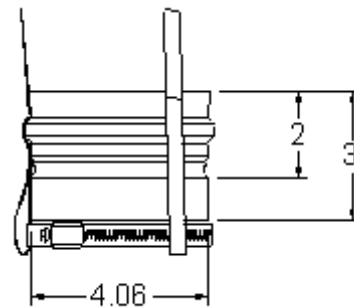
**9401MES**



**9401JVI**



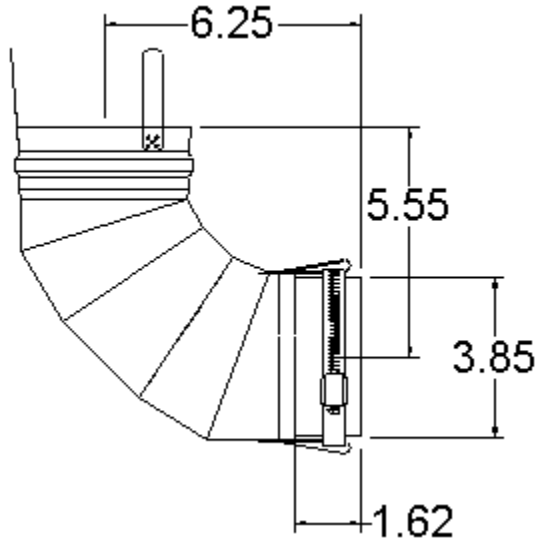
**9401PVI**



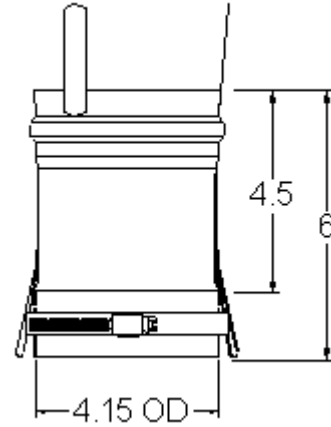
**9401RHM**

# Saf-T Vent<sup>®</sup> Appliance Adapters

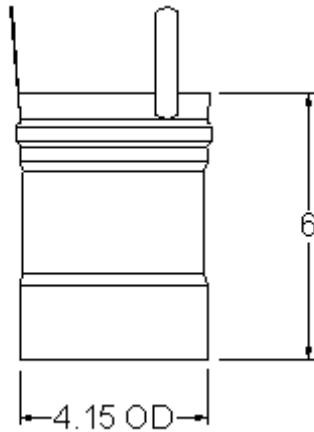
**4" Adapters** —Adapters for appliances with 4" flue collars.



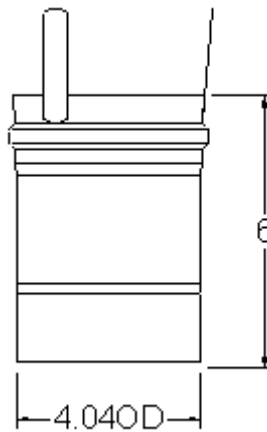
**9414SMI**



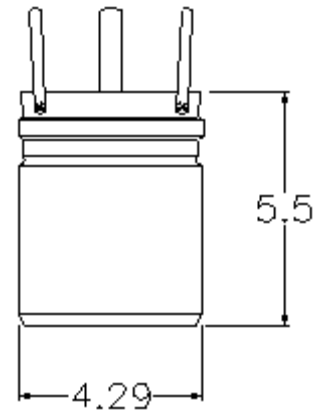
**9401UTI**



**9401SRI**



**9401VAIL**

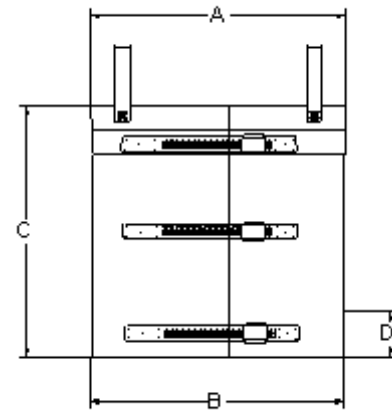


**9401VSMN**

# Saf-T Vent® Appliance Adapters

**Over-the-Flue-Collar Appliance Adapter** — A generic flue collar adapter used on appliances with vent outlets that are slightly out-of-round or of irregular diameters. The split-seam design allows the adapter to clamp around irregular or inconsistent flue collars while still providing a secure connection to Saf-T Vent systems.

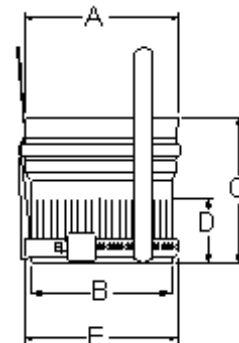
Part Number	DIM - A Nominal Diameter	DIM - B Minimum Flue Collar Diameter	DIM - C Installed Length	DIM - D Minimum Recommended Interface Length
5301BOI	3	2.85	8	1.5
5401BOI	4	3.75	8	1.5
5501BOI	5	4.75	8	1.5
5601BOI	6	5.75	8	1.5
5701BOI	7	6.75	8	1.5
5801BOI	8	7.75	8	1.5
5901BOI	9	8.75	8	1.5
51001BOI	10	9.75	8	1.5
51201BOI	12	11.75	8	1.5
51401BOI	14	13.75	8	1.5
51601BOI	16	15.75	8	1.5
51801BOI	18	17.75	8	1.5
52001BOI	20	19.75	8	1.5
52201BOI	22	21.75	8	1.5
52401BOI	24	23.75	8	1.5



**Over-the-Flue-Collar Appliance Adapter**

**Into-the-Flue-Collar Appliance Adapter** — A generic flue collar adapter used on appliances with vent outlets with a nominal inside diameter. The crimped portion of this adapter is inserted into the flue collar while the hose clamp is tightened around the outside to create a mechanical joint.

Part Number	DIM - A Nominal Diameter	DIM - B Male End Crimp O.D.	DIM - C Overall Length	DIM - D Crimp Length	DIM - E Maximum Clamp Diameter
9363	3	2.9	4	0.75	3.5
9464	4	3.9	4	1.75	4.5
9565	5	4.9	4	1.75	5.5
9666	6	5.9	4	1.75	6.5
9767	7	6.9	4	1.75	7.5
9868	8	7.9	4	1.75	8.5

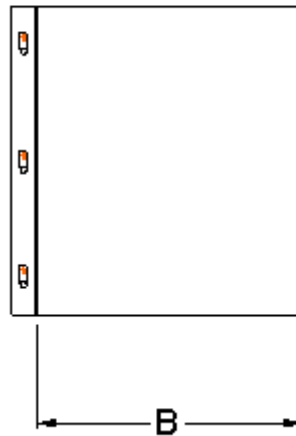
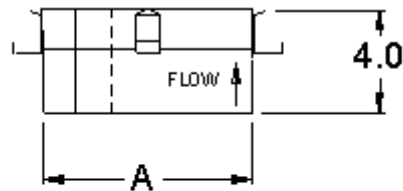


**Into-the-Flue-Collar Appliance Adapter**

# Saf-T Vent<sup>®</sup> Appliance Adapters

**Universal Boiler Adapter**— Used horizontally or vertically to adapt Saf-T Vent CI Plus to nominal diameter flue collars, it can also adapt to boiler collars that are slightly out of round. The adapter comes with a joint locking strap, boiler collar clamp and a 8" coupler band.

Part Number	DIM - A Nominal Inner Diameter	DIM - B Nominal Diameter Outer Jacket
CCA05ADUV	5	7.3
CCA06ADUV	6	8.3
CCA07ADUV	7	9.3
CCA08ADUV	8	10.3
CCA09ADUV	9	11.3
CCA10ADUV	10	12.3
CCA12ADUV	12	14.3
CCA14ADUV	14	16.3
CCA16ADUV	16	18.3
CCA18ADUV	18	20.3
CCA20ADUV	20	22.3
CCA22ADUV	22	24.3
CCA24ADUV	24	26.3
CCA26ADUV	26	28.3
CCA28ADUV	28	30.3
CCA30ADUV	30	32.3
CCA32ADUV	32	34.3

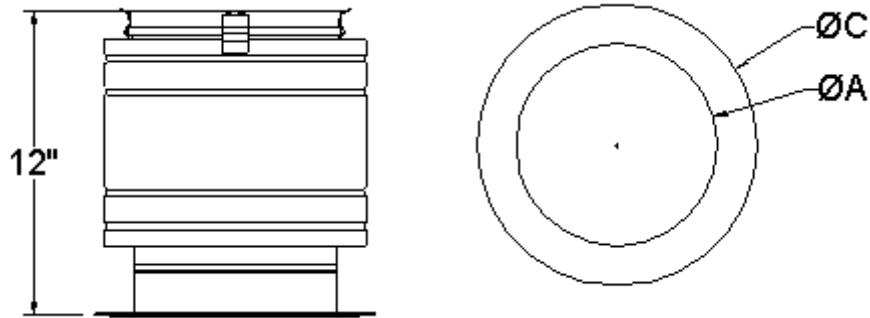


# Saf-T Vent<sup>®</sup> Appliance Adapters

**Flange-Type Appliance Adapter** — A generic adapter used on appliances with a vent outlet that includes a bolted-on flange connection. Bolt holes and hardware are provided by the installer. Custom bolt hole patterns can be provided for an additional charge. Each Saf-T Vent CI Plus appliance adapter comes standard with a 8" long and a 5" long Saf-T Vent CI Coupler, the Saf-T Vent CI appliance adapter comes standard with a 12" long Saf-T Vent CI Coupler.

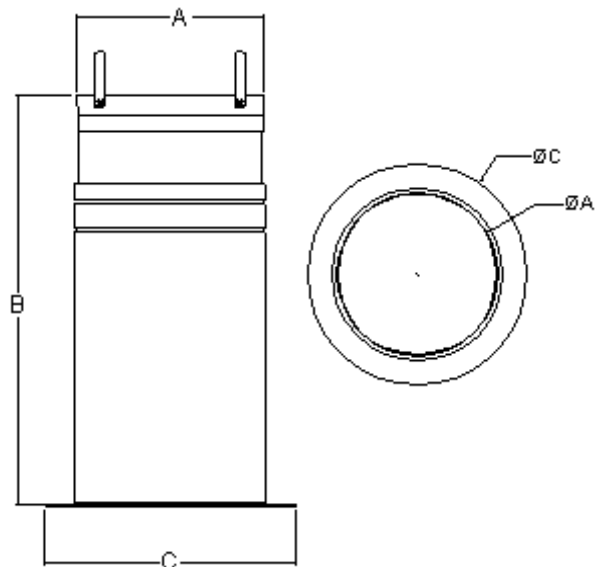
Part Number	DIM - A Nominal Diameter	DIM - B Installed Length	DIM - C Flange Diameter
CCA05ADFL	5	12	8
CCA06ADFL	6	12	9
CCA07ADFL	7	12	10
CCA08ADFL	8	12	11
CCA09ADFL	9	18	12
CCA10ADFL	10	12	13
CCA12ADFL	12	12	15
CCA14ADFL	14	12	17
CCA16ADFL	16	12	19

Note: Bolt Holes are to be field installed.



Part Number	DIM - A Nominal Diameter	DIM - B Installed Length	DIM - C Flange Diameter
5804BOI	8	18	11
5904BOI	9	18	12
51004BOI	10	18	13
51204BOI	12	18	15
51404BOI	14	18	17
51604BOI	16	18	19
51804BOI	18	18	21
52004BOI	20	18	23
52204BOI	22	18	25
52404BOI	24	18	27

Note: Bolt Holes are to be field installed.



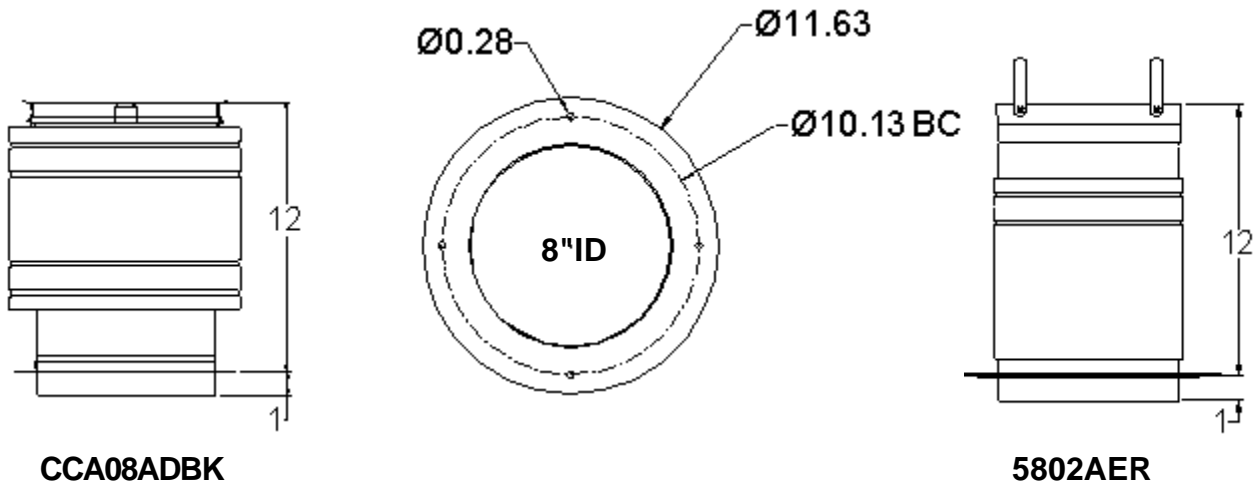
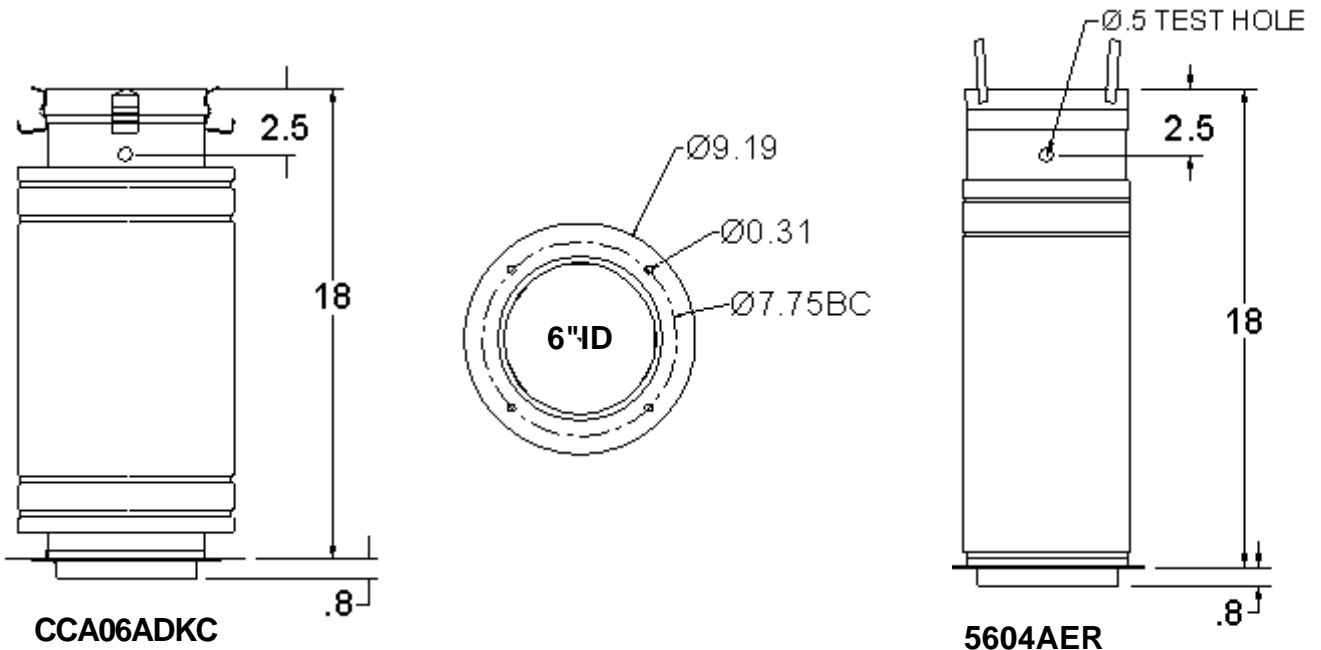
Heat-fab, Inc.

130 Industrial Boulevard • Turners Falls, MA 01376  
Phone 800 772 0739 • Fax 413 863 4803 • www.heat-fab.com

# Saf-T Vent<sup>®</sup> Appliance Adapters

## Aerco Adapter — Adapters for Aerco appliances.

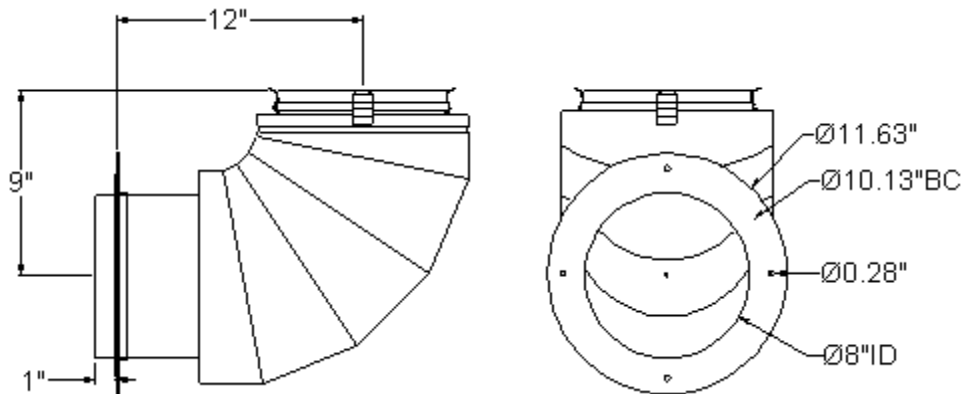
Part Number	Nominal Diameter	Installed Length	Flange Diameter	Bolt Centers
5604AER	6	18	9.19	7.75
5802AER	8	12	11.63	10.13
CCA06ADKC	6	18	9.19	7.75
CCA08ADBK	8	12	11.63	10.13



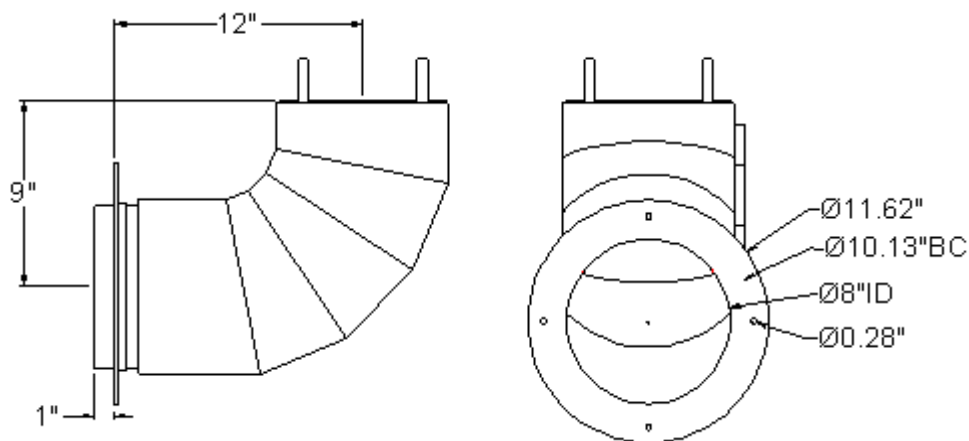
# Saf-T Vent<sup>®</sup> Appliance Adapters

**Aerco Elbow Adapter** —90° elbow adapters for Aerco appliances. Note: To avoid water system supply and return piping, this fitting must be rotated from the vertical position.

Part Number	Nominal Diameter	Installed Length	Flange Diameter	Bolt Centers
5814AER	8	12	11.63	10.13
CCA08ADBK90	8	12	11.63	10.13



**CCA08ADBK90**

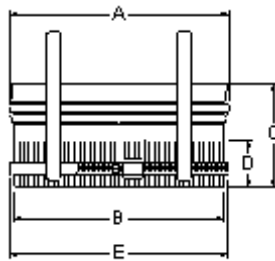


**5814AER**

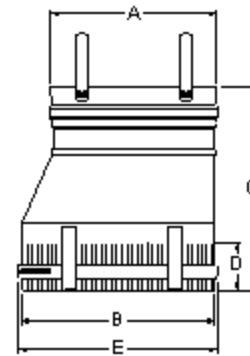
# Saf-T Vent<sup>®</sup> Appliance Adapters

**Buderus Appliance Adapter** — This adapter is specially designed to connect directly into the vent outlet of Buderus SB Series boilers. The hose clamp is tightened around the outside of the flue collar to create a mechanical joint.

Part Number	DIM - A Nominal Diameter	DIM - B Male End Crimp O.D.	DIM - C Overall Length	DIM - D Crimp Length	DIM - E Maximum Clamp Diameter
9601SB*	6	7.18	7.5	1.75	7.5
9801SB	8	7.9	4.0	1.75	8.5
91001SB	10	9.9	4.0	1.75	10.5
91201SB	12	11.9	4.0	1.75	12.5
91401SB	14	13.9	4.0	1.75	14.5

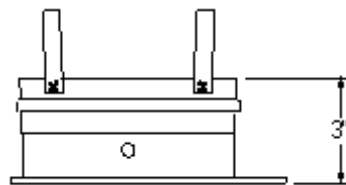


**Buderus SB Boiler Adapter**

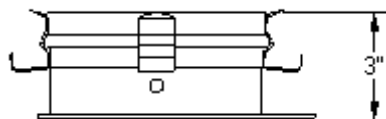


**\*9601SB**

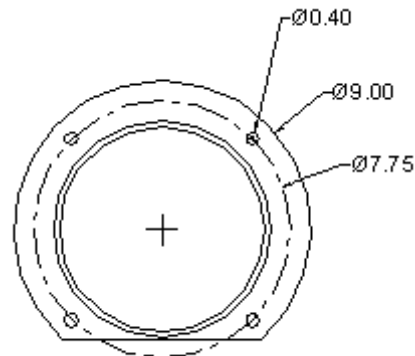
**Hydrotherm Adapter** — This adapter is specially designed to connect directly to the vent outlet of the Hydrotherm KN-10.



**9601KN10**



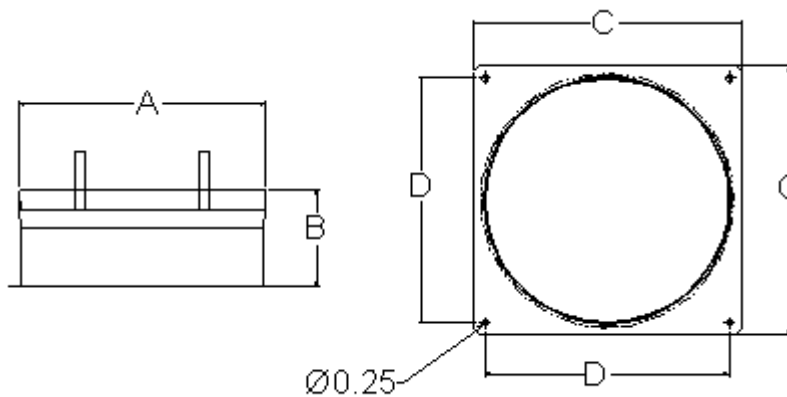
**CCA06ADKN**



# Saf-T Vent<sup>®</sup> Appliance Adapters

**Laars MightyMax Adapter** — This adapter is specially designed to connect directly to the vent outlet of a Laars MightyMax Boiler. This part is supplied by Laars Heating Systems with MightyMax Boilers that require AL 29-4C<sup>®</sup> venting.

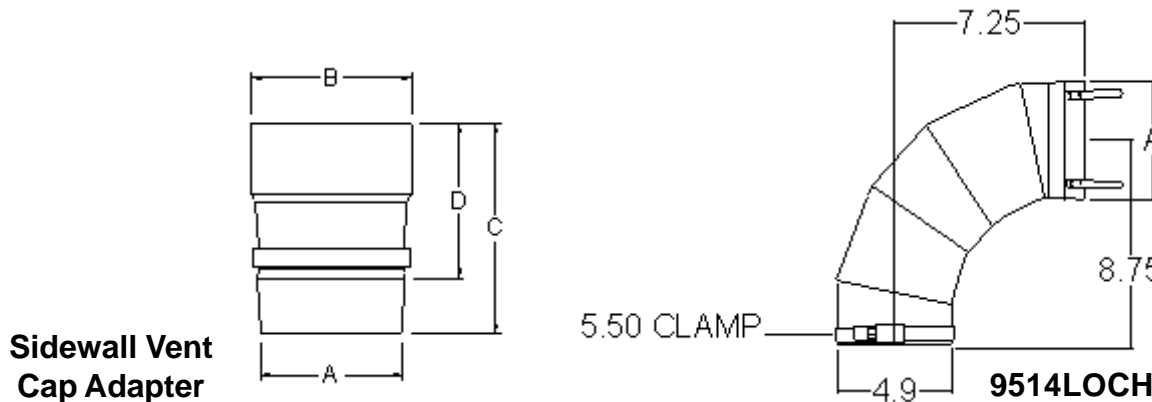
Part Number	DIM - A Nominal Diameter	DIM - B Installed Length	DIM - C Plate Size	DIM - D Bolt Centers
9601LARS	6	4	7	6
9701LARS	7	4	8	7
9801LARS	8	4	9	8
9901LARS	9	4	10	9
91001LARS	10	4	11	10



**Laars Adapter**

**Lochinvar Adapter** —Adapters for Lochinvar appliances.

Part Number	DIM - A Nominal Diameter	DIM - B Diameter	DIM - C Overall Length	DIM - D Installed Length	Use
9454LOCH	4	4.5	6	4.38	Sidewall Vent Cap Adapter
9555LOCH	5	5.5	6	4.38	Sidewall Vent Cap Adapter
9514LOCH	5				Appliance Adapter

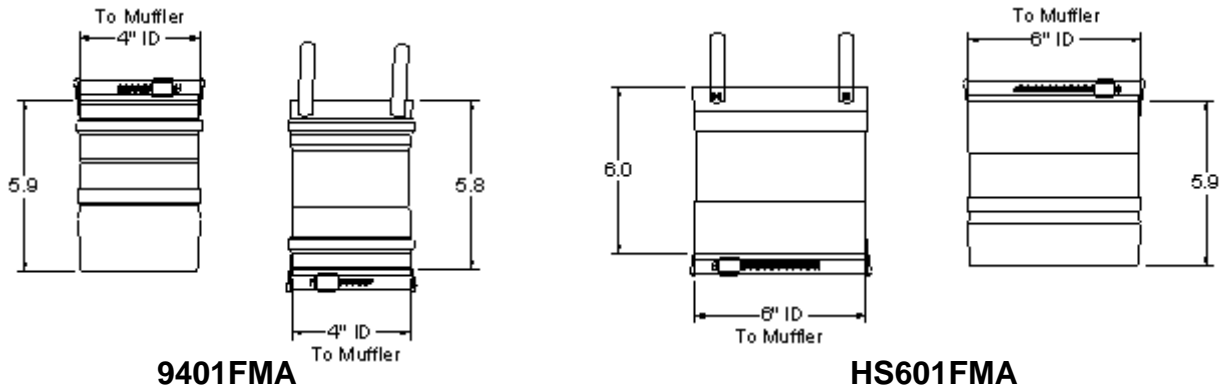


**Sidewall Vent  
Cap Adapter**

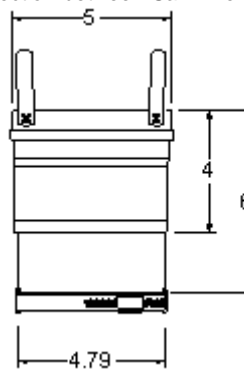
**9514LOCH**

# Saf-T Vent® Appliance Adapters

**Fulton Muffler Adapters** —These adapters make the connection between Saf-T Vent products and Fulton Exhaust Mufflers. The 4" diameter has Saf-T Vent EZ Seal ends and the 6" diameter is made of heavy wall material and has non-gasketed Saf-T Vent ends.

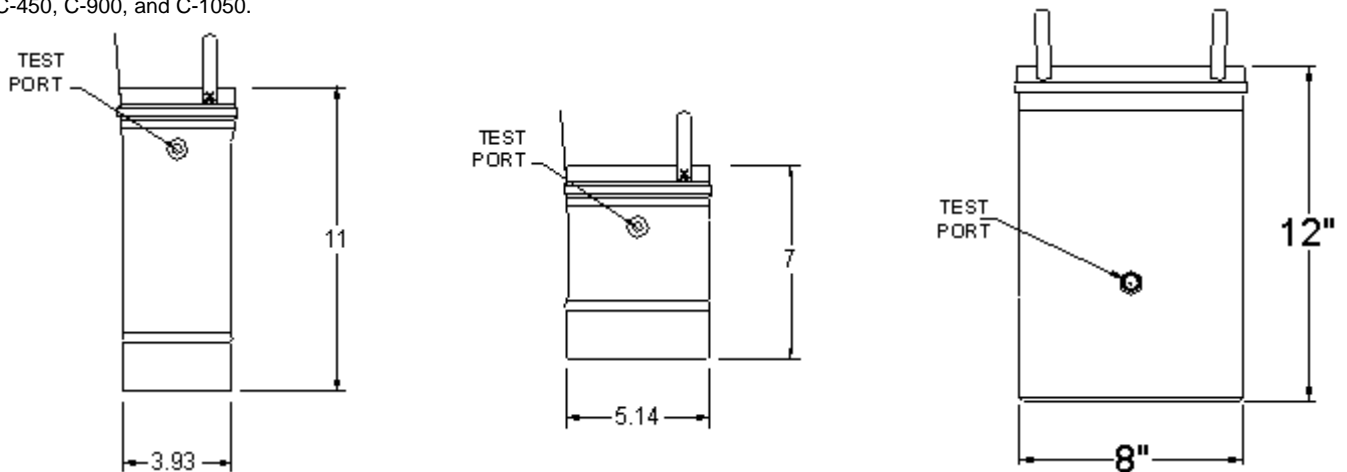


**Noritz Adapter** —This adapter makes the connection between Saf-T Vent products and Noritz water heaters that require 5" diameter vent.



**9501NOR**

**P-K Mach Adapter** —This adapter is specially designed to connect directly to the vent outlet of P-K Mach Boilers, Series C-300, C-450, C-900, and C-1050.



**9401MACH Adapter**

**9501MACH Adapter**

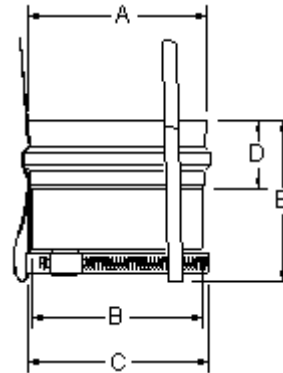
**9801MACH Adapter**

# Saf-T Vent<sup>®</sup> Appliance Adapters

**Raypak Boiler Adapter** — This adapter is specially designed to connect directly into the vent outlet of Raypak's ADB or High Delta boilers. The hose clamp is tightened around the outside of the flue collar to create a mechanical joint.

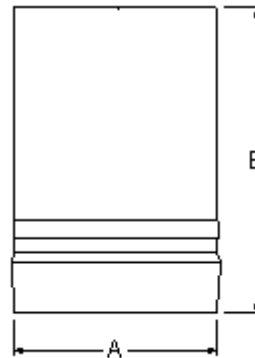
Part Number	DIM - A Nominal Diameter	DIM - B Flue Collar I.D.	DIM - C Hose Clamp Diameter	DIM - D Installed Length	DIM - E Overall Length
9401RYPK	4	4	4.5	1.50	3.75
9501RYPK	5	5	5.5	1.50	3.75
9601RYPK	6	6	6.5	1.50	3.75
9801RYPK	8	8	8.5	1.50	3.75
9901RYPK	9	9	9.5	1.50	3.75
91001RYPK	10	10	10.5	1.50	3.75
91201RYPK	12	12	12.5	1.50	3.75
91401RYPK	14	14	14.5	1.50	3.75
91601RYPK	16	16	16.5	1.50	3.75

**Raypak Boiler Adapter**



**Raypak Vent Cap Adapter** — This adapter makes the connection between Saf-T Vent products and Raypak's Flue Exhaust Vent Cap.

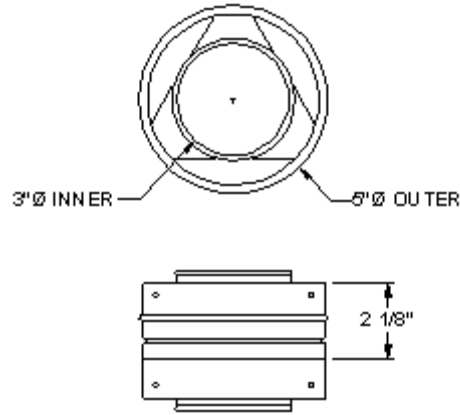
Part Number	DIM - A Nominal Diameter	DIM - B Overall Length
9490RYPK	4	9
9590RYPK	5	9
9690RYPK	6	9
9890RYPK	8	9
9990RYPK	9	9
91090RYPK	10	9
91290RYPK	12	9
91490RYPK	14	9
91690RYPK	16	9



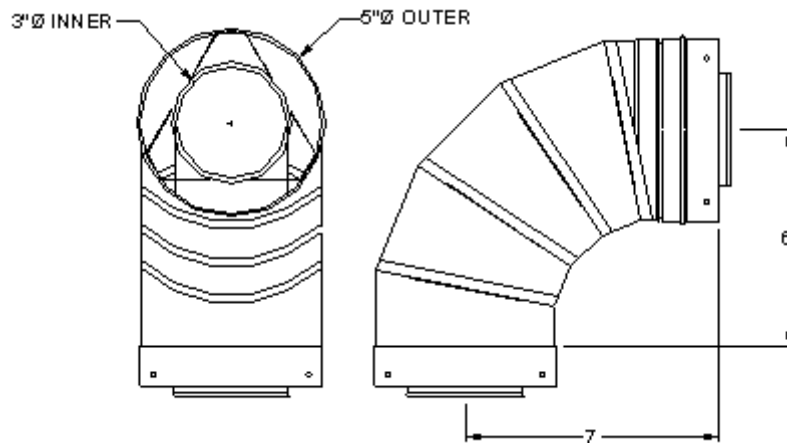
**Raypak Vent Cap Adapter**

# Saf-T Vent<sup>®</sup> Appliance Adapters

**Rinnai Appliance Adapters** — The straight adapter, SC03AD01, or elbow adapter, SC3AD01E, is specially designed to connect directly into the vent outlet of the Rinnai Continuum model V2532.



**SC03AD01**  
**Straight Adapter**



**SC03AD01E**  
**Elbow Adapter**

# Saf-T Vent® Appliance Adapters

---

## Appliance Makes and Models:

### General Notes:

The following appendix includes adapters from all of Heat-fab's Saf-T Vent brands ; EZ Seal, SC, CI, and CI Plus.

Adapters are listed by the appliance manufacturer.

Pipes and fittings from one brand are compatible with appliance adapters of another, ie GC to EZ Seal. For more details please refer to Technical Bulletin # 11719.

### Terms:

**Burnham Vent ONLY** – The only AL 29-4C vent approved for this late-model appliance is Burnham's proprietary venting system. Contact Burnham Corporation for a local supplier.

**Call Heat-fab** – At the time of publication an appliance adapter had not been determined. Please call Heat-fab at 800-772-0739 for our current recommendation.

**Factory Accessory (HF)** – This is an accessory supplied by the Appliance Manufacturer for some venting configurations. The vent connection on the accessory is equipped with Heat-fab's standard female end. No separate adapter is required.

**Factory Supplied (Gen.)** – The appliance is shipped with a generic flue collar that will accept a standard male end of a Heat-fab Saf-T Vent product. No separate adapter is required.

**Factory Supplied (HF)** – The appliance's flue collar is equipped with Heat-fab's standard female end. No separate adapter is required.

**Vent Kit (HF)** – A standard vent kit for this model is available from Heat-fab.

**Vent Kit (Mfg.)** – A standard vent kit for this model is available from the Appliance Manufacturer.

### Don't See Your Appliance?

If your appliance is not listed, please give us a call at 800-772-0739. We'll work with you and the Appliance Manufacturer to find a solution.

Heat-fab, Inc.

---

130 Industrial Boulevard • Turners Falls, MA 01376  
Phone 800 772 0739 • Fax 413 863 4803 • www.heat-fab.com

# Saf-T Vent® Appliance Adapters

Manufacturer	Make & Model	Flue Collar Diameter	Adapter Part #	Page
Aerco International	KC1000 Series (KC-1000 thru KC1000-8)	6	5604AER or CCA06ADKC	14
	Benchmark (BMK 2.0) Series (BM/2000 thru BM/2000-8)	8	5802AER, CCA08ADBK (straight), or 5814AER, CCA08ADBK90 (90° elbow)	14
Ajax	Goldstar GS-10-A01G	6	Factory Supplied (HF)	
	Goldstar GS-15-A01G	8	Factory Supplied (HF)	
A.O. Smith Water Products	Genesis GB & GW-200	4	9464	10
	GB & GW -300	5	9565	10
	GB&GW-400 & -500	6	9666	10
	GB & GW -650 & -750	8	9868	10
	GB & GW 1000	10	5100BOI or CCA10ADUV	10 & 11
	GB & GW-1300 & -1500	12	51201BOI or CCA12ADUV	10 & 11
	GB & GW-1850 & -2100	14	51401BOI or CCA14ADUV	10 & 11
	GB & GW-2500	16	51601BOI or CCA16ADUV	10 & 11
	Legend 2000 LB & LW-500, -750	6	Factory Supplied (HF)	
	LB & LW-1000	7	Factory Supplied (HF)	
	Pro Star XT 19400	4	9401RYPK	18
Bard Mfg.	IH, IC, IL, ISG, & MPG Gas Furnaces	3	9363 for 3" dia. Vent	10
		4	9464 for 4" dia. vent	10
Beacon/Morris	BRU / BTU 100 - 250	5	9565	10
	BRU / BTU 300 - 400	6	9666	10
Bosch	AquaStar 125FX	4	9464	10
	AquaStar 240FX	4	9464	11
	AquaStar 250SX	3	9301BSH	5
	Pro Tankless GWH-635-ES	3	9301BSH	5
Buderus	GA124 17, 23, 30	3	9301AMTK	3
	GA244 37, 44, 53	3	9301AMTK	3
	G124X 18, 25, 32	3	9301AMTK	3
	GA244 62	4	9401AMTK	7
	G-515 Series Cast Iron Boilers	10	51001BOI or CCA10ADUV	10 & 11
	G-605 Series Cast Iron Boilers	14	51401BOI or CCA14ADUV	10 & 11
	SB615 145, 185	6	9601SB	15
	SB615 240, 310	8	9801SB	15
	SB615 400	10	91001SB	15
	SB615 510, 640	12	91201SB	15
	SB735-790/970/1200	14	91401SB	15

# Saf-T Vent® Appliance Adapters

Manufacturer	Make & Model	Flue Collar Diameter	Adapter Part #	Page
Burnham	Revolution Series	3	9353BUREZ	3
	Series 2PV	3	9353BUREZ	3
	Spirit Series	3	9353BUREZ	3
	Independence PV Series	3	Burnham Vent ONLY	
	Minuteman Series	3	Burnham Vent ONLY	
	XG2000A Series	3	Burnham Vent ONLY	
Cleaver Brooks	Clearfire MCF-750	10	51001BOI or CCA10ADUV	10 & 11
	Clearfire MCF-1000	10	51001BOI or CCA10ADUV	10 & 11
	Clearfire MCF-1500	12	51201BOI or CCA12ADUV	10 & 11
	Clearfire MCF-1800	12	51201BOI or CCA12ADUV	10 & 11
Columbia Boiler	CDV38 thru CDV125	3	9301UTI	3
	CDV150 thru CDV200	4	9401UTI	9
	LVGD90-120	4	9464	10
Comfortmaker	GUA or GDA Series 40, 60, 80	3	9301ICP	3
	GUA or GDA Series 100, 120	4	9401ICP	8
Crown Boiler	Bali BWF 061-162	3	9301CRWN	3
	Bali BWF 195-229	4	9401CRWN	7
	Cabo CSC-50 thru CSC-150	3	9301CRWN	3
	Cabo CSC-175 and CSC-200	4	9401CRWN	7
	CXE-2 thru CXE-5	3	9301THI	3
	CXE-6 and CXE-7	4	9464	10
	XE Series (XE-2 thru XE-5)	4	9401DUN	7
Dunkirk Radiator	XE Series (XE-2 thru XE-5)	4	9401DUN	7
	XEB-2 thru XEB-5	3	9301THI	3
	XEB-6 and XEB-7	4	9464	10
Frigidaire	see Nordyne			
Fulton Boiler Works	PulsePak PHW-300 (on/off)	3	9301FUL	3
	PHW-500 (on/off)	3	9301FUL	3
	PHW-750 (on/off)	4	9401FUL	7
	PHW-950 (on/off)	4	9401FUL	7
	PHW-1000 (on/off)	4	9401FUL	7
	PulsePak PHW-300 (modulating)	3	Factory Supplied (Gen.)	
	PHW-500 (modulating)	3	Factory Supplied (Gen.)	
	PHW-750 (modulating)	4	Factory Supplied (Gen.)	
	PHW-950 (modulating)	4	Factory Supplied (Gen.)	
	PHW-1000 (modulating)	4	Factory Supplied (Gen.)	
	PHW-1400 (modulating)	4	Factory Supplied (Gen.)	
	Pulse PHW-2000	6	Factory Supplied (Gen.)	
	Vantage 3000	10	51001BOI or CCA10ADUV	10 & 11
	4" Fulton Exhaust Muffler	4	9401FMA	17
	6" Fulton Exhaust Muffler	6	9601FMA	17

# Saf-T Vent® Appliance Adapters

Manufacturer	Make & Model	Flue Collar Diameter	Adapter Part #	Page
Gasmaster Industries	GMI 200, 300, 400	4	5401BOI	10
	GMI 600	6	5601BOI or CCA10ADUV	10 & 11
	GMI 800, 1M	8	5801BOI or CCA8ADUV	10 & 11
	GMI 1.5M, 2M	12	51201BOI or CCA12ADUV	10 & 11
	GMI 4M	18	51801BOI or CC18ADUV	10 & 11
Gibson	see Nordyne			
Hatco Corporation	Powermite PMG-100 & -200	4	5401BOI	10
Hayward Pool Prod.	H250IDL(P) & H400IDL(P)	6	Factory Supplied ( HF)	
H. B. SMITH	PVG-2 thru PVG-5	4	9401DUN	7
	PVGA-2 thru PVGA-5	3	9301THI	3
	PVGA-6 and PVGA-7	4	9464	10
Hobart Corporation	IB57 & IB140 Booster Heater	3	9363	10
	IB235 & IB290 Booster Heater	4	9464	10
Hydrotherm	HI-85/50B, HI-125/75B, HI-165/100B)	4	9401MES	8
	ID-85A, ID-125A, ID-165A	4	9401MES	8
	Innova IHS-40 thru IHS-160	4	9401MES	8
	Sabre FX - 70, 105, and 140	3	9314SMI	5
	FX - 175 and 200	4	9414SMI	9
	KN -10	6	9601KN or CCA06ADKN	15
International Comfort Products (ICP)	GUA or GDA Series 40, 60, 80	3	9301ICP	3
	GUA or GDA Series 100, 120	4	9401ICP	8
Laars Heating Systems	Endurance EBP, EDN, & EDP (all sizes)	3	SC Vent Kit (Mfg.) or 9301THI	3
	Heatmaker H,HP, & HW (all sizes)	3	9301THI	3
	Mini-Therm JVi JVH/JVP 50 -225	4	9401JVI	8
	Mini-Combo id	4	5401BOI	10
	Summit	3	9301CPVC	5
	Rheos 1200, 1600	6	5601BOI or CCA06ADUV	10 & 11
	Rheos 2000	7	5701BOI or CCA07ADUV	10 & 11
	Rheos 2400	10	51001BOI or CCA10ADUV	10 & 11
	Pennant 500 (Cat I, III, & Sidewall)	6	5601BOI or CCA06ADUV	10 & 11
	Pennant 750 (Cat. I)	8	5801BOI or CCA08ADUV	10 & 11
	Pennant 750 (Cat. II & Sidewall)	6	5601BOI or CCA06ADUV	10 & 11
	Pennant 1000 (Cat. I)	10	51001BOI or CCA10ADUV	10 & 11
	Pennant 1000 (Cat. II & Sidewall)	8	5801BOI or CCA08ADUV	10 & 11
	Pennant 1500 (Cat. I)	12	51201BOI or CCA12ADUV	10 & 11
	Pennant 1500 (Cat. II & Sidewall)	10	51001BOI or CCA10ADUV	10 & 11
Pennant 2000 (Cat. I)	14	51401BOI or CCA14ADUV	10 & 11	
Pennant 2000 (Cat. II & Sidewall)	12	51201BOI or CCA12ADUV	10 & 11	

# Saf-T Vent® Appliance Adapters

Manufacturer	Make & Model	Flue Collar Diameter	Adapter Part #	Page
Laars Heating Systems	MightyMax Series			
	HH,PH,PW, & VW 0320M	6	9601LARS *	16
	HH,PH,PW, & VW 0400M	7	9701LARS *	16
	HH,PH,PW, & VW 0520M	8	9801LARS *	16
	HH,PH,PW, & VW 0625M	8	9801LARS *	16
	HH,PH,PW, & VW 0775M	9	9901LARS *	16
	HH,PH,PW, & VW 1000M	10	91001LARS *	16
* Available from Laars Heating Systems for appliances being vented with AL294C.				
Lennox	CMWB-2 thru CMWB-5	3	9301THI	3
	CMWB-6 and CMWB-7	4	9464	10
	CXE-2 thru CXE-5	4	9401DUN	7
	CXEB-2 thru CXEB-5	3	9301THI	3
	CXEB-6 and CXEB-7	4	9464	10
Lochinvar	Copper-Fin II CF & CH 300	5	5501BOI or CCA05ADUV	10 & 11
	CF & CH 401, 501	6	5601BOI or CCA06ADUV	10 & 11
	CF & CH 651, 751	8	5801BOI or CCA08ADUV	10 & 11
	CF & CH 990	10	51001BOI or CCA10ADUV	10 & 11
	CF & CH 1260, 1440	12	51201BOI or CCA12ADUV	10 & 11
	CF & CH 1800, 2070	14	51401BOI or CCA14ADUV	10 & 11
	Efficiency+ EB/EW/EP 100	3	9363	10
	EB/EW/EP 150 and 200	4	9464	10
	EB/EW/EP 250 and 300	5	9565 or 9514LOCH	10 & 16
	Efficiency+ Sidewall Vent Cap Adapter	4	9454LOCH	16
	Efficiency+ Sidewall Vent Cap Adapter	5	9555LOCH	16
	Intelli-Fin IBL & IBN 1500	6	5601BOI or CCA06ADUV	10 & 11
	Intelli-Fin IBL & IBN 1700	7	5701BOI or CCA07ADUV	10 & 11
	Intelli-Fin IBL & IBN 2000	8	5801BOI or CCA08ADUV	10 & 11
	Power-Fin PB & PF Series 0250	5	5501BOI or CCA05ADUV	10 & 11
	PB & PF Series 0500/0501	7	5701BOI or CCA07ADUV	10 & 11
	PB & PF Series 0750/0751	9	5901BOI or CCA09ADUV	10 & 11
	PB & PF Series 1000/1001	10	51001BOI or CCA10ADUV	10 & 11
	PB & PF Series 1300	12	51201BOI or CCA12ADUV	10 & 11
	PB & PF Series 1500	8	5801BOI or CCA08ADUV	10 & 11
	PB & PF Series 1700	8	5801BOI or CCA08ADUV	10 & 11
	PB & PF Series 2000	10	51001BOI or CCA10ADUV	10 & 11
Modine	Hot Dawg HD30 thru HD75	3	9301MOD	4
	Hot Dawg Vent Cap Adapter	3	9302MOD	4
New Yorker	PVCG Series (30 thru 60)	3	9353BUREZ	3
Nordyne	G6RA-045	3	9363	10
	G6RA-060 THRU -120	4	9464	10
	G6RA-144	5	9565	10
	G6RAK (all models)	4	9464	10

Heat-fab, Inc.

130 Industrial Boulevard • Turners Falls, MA 01376  
Phone 800 772 0739 • Fax 413 863 4803 • www.heat-fab.com

# Saf-T Vent® Appliance Adapters

Manufacturer	Make & Model	Flue Collar Diameter	Adapter Part #	Page
Noritz	N-042	3	9301PAL	4
	N-063S, N-069M, N-084M, N-084M-DV	4	9401RYPK	18
	N-132	5	9501NOR	17
Nortec	GHB / GHP / GHMC 100	3	9301AMTK	3
	GHB / GHP / GHMC 200 and 400	4	9401AMTK	7
Paloma Industries	PH-16UFN, PH-16UFH, PH-16FS	3	9301PAL	4
	PH-28RIFS	4	9401RHM	8
Patterson-Kelley, Co.	Modu-Fire N1000	10	51001BOI or CCA10ADUV	10 & 11
	Modu-Fire N1500 & N2000	12	51201BOI or CCA12ADUV	10 & 11
	Pulsar PO 350, 500	5	5501BOI or CCA05ADUV	10 & 11
	Thermific 700, 900, 1200	10	51001BOI or CCA10ADUV	10 & 11
	Thermific 1500, 1700, 1900	12	51201BOI or CCA12ADUV	10 & 11
	Mach C - 300	4	9401MACH	17
	Mach C - 450	5	9501MACH	17
	Mach C - 750	6	Factory Supplied (HF)	
	Mach C - 900	8	9801MACH	17
	Mach C - 1050	8	9801MACH	17
Peerless Heater	DE Series (all models)	3	9301AMTK	3
	PDE Series (all models)	3	93PLSTEE	4
	PDE Vent Cap Adapter	3	9302PL	4
	PSC Series (all models)	3	9301AMTK	3
Pennco	FS Series (FS-2 thru FS-5)	4	9401DUN	7
	FSB-2 thru FSB-5	3	9363	10
	FSB-6 and FSB-7	4	9464	10
Pentair Pool Products	Mini Max NT & Low NOX	4 or 5	5401BOI or 5501BOI	10 & 11
Precision Temp	PT-200 Gas Booster Heater	4	9464	10
PVI Industries	Power VT (all models)	4	9401PVI	8
Raypak	B-50 & B-130A Gas Booster Heater	3	9363	10
	B-195 Gas Booster Heater	4	9464	10
	Advanced Design Boiler (ADB)			
	ADB-500	6	9601RYPK	18
	ADB-750	8	9801RYPK	18
	ADB-1000 w/out CHX	9	9901RYPK	18
	ADB-1000 with CHX	10	91001RYPK	18
ADB-1500	12	91201RYPK	18	

# Saf-T Vent® Appliance Adapters

Manufacturer	Make & Model	Flue Collar Diameter	Adapter Part #	Page
Raypak	Hi Delta			
	122	4	9401RYPK	18
	162, 202, 242, 302	5	9501RYPK	18
	322, 402 and 502	6	9601RYPK	18
	652, 752, and 902	8	9801RYPK	18
	992	10	91001RYPK	18
	1262 and 1532	12	91201RYPK	18
	1802, 2002, and 2072	14	91401RYPK	18
	2342	16	91601RYPK	18
Raypak	Vent Cap Adapters (ADB , Hi-delta)			
		4	9490RYPK	18
		5	9590RYPK	18
		6	9690RYPK	18
		8	9890RYPK	18
		9	9990RYPK	18
		10	91090RYPK	18
		12	91290RYPK	18
		14	91490RYPK	18
	16	91690RYPK	18	
RBI Water Heaters	Futera 65, 100, & 150	3	5301BOI	10
	Futera 200, 250, & 300	4	5401BOI	10
	Futera 350 & 400	5	5501BOI or CCA05ADUV	10 & 11
	Futera II 500	6	5601BOI or CCA06ADUV	10 & 11
	Futera II 750	8	5801BOI or CCA08ADUV	10 & 11
	Futera II 1000	9	5901BOI or CCA09ADUV	10 & 11
	Futera II 1250 & 1500	10	51001BOI or CCA10ADUV	10 & 11
	Futera II 1750 & 1950	12	51201BOI or CCA12ADUV	10 & 11
	Futera II Exhaust Term Adapters	6	9690RYPK	18
		8	9890RYPK	18
		9	9990RYPK	18
		10	91090RYPK	18
	12	91290RYPK	18	
Reznor	FT 30-65	4	9464	10
	BE & FE 25 -100	4	9464	10
	BE & FE 125 -250	5	9565	10
	BE & FE 300-400	6	9666	10
Rheem	Pronto! 4.2 / RTG-42	3	9301PAL	4
	PH28	4	9401RHM	8
	Pronto1 7.4 / RTG74	4	9401RHM	8
Rinnai	Continum	3	SC Vent Kit (HF), SC03AD01, SC03AD01E	19

# Saf-T Vent® Appliance Adapters

Manufacturer	Make & Model	Flue Collar Diameter	Adapter Part #	Page
Riverside Hydronics	Primera 400	6	5601BOI or CCA06ADUV	10 & 11
	Primera 750, 1000	8	5801BOI or CCA08ADUV	10 & 11
	Primera 1200,	10	51001BOI or CCA10ADUV	10 & 11
	Primera 1600, 2000	12	51201BOI or CCA12ADUV	10 & 11
Ruud	See Rheem			
Slant/Fin	Concept 21 Boiler (all models)	3	Factory Supplied (HF)	
	Prodigy 21 Boiler all models)	3	Factory Supplied (HF)	
	Victory Boiler (all models)	3	Factory Supplied (HF)	
	Victory II Boiler (all models)	3	Factory Supplied (HF)	
Smith Boiler	GV100W-3 thru GV100W-7	4	9401MES	8
	GS110-W-3, 4, and 5	3	9314SMI	5
	GS110-W-6, and 7	4	9414SMI	9
Snyder General Furnace	GUA or GDA Series 40, 60, 80	3	9301ICP	3
	GUA or GDA Series 100, 120	4	9401ICP	8
State Water Heater	Aurora Tankless	4	9401RYPK	18
Sta-Rite Industries	Max-E-Therm SR Pool and Spa Heater (SR200, SR333, SR400) (Kit 77707-0086 from Sta-Rite)	4	9401SRI	9
Sterling	TF 100 - 250	5	9565	10
	TF 300 - 400	6	9666	10
Stero Company	SIB140 Booster Heater	3	9363	10
	SIB235 & SIB290 Booster Heater	4	9464	10
Takagi	Flash-T-K2	4	9464	10
	Flash-T-KD20	4	9464	10
	Mobius T-M1	4	9464	10
	T-K1S, T-K2, & T-K Jr.	4	9464	10
Tappan	see Nordyne			
Teledyne Laars	see Laars Heating Systems			

# Saf-T Vent® Appliance Adapters

Manufacturer	Make & Model	Flue Collar Diameter	Adapter Part #	Page
Thermal Solutions	Evolution EVH-250	3	Factory Supplied (HF)	
	Evolution EVH-500 & -750	4	Factory Supplied (HF)	
	Evolution EVH-1000,-1500,-2000	6	Factory Supplied (HF)	
	Evolution (Conventional Vent)			
	EVH-250	5	Factory Supplied (HF)	
	EVH-500	6	Factory Supplied (HF)	
	EVH-750	7	Factory Supplied (HF)	
	EVH-1000	9	Factory Supplied (HF)	
	EVH-1500	10	Factory Supplied (HF)	
	EVH-2000	12	Factory Supplied (HF)	
Thermo-Dynamics	LMGD (all models)	4	9464	10
Trianco-Heatmaker	Heatmaker H, HP, & HW (all sizes)	3	9301THI	3
Triangle Tube	HM Series G Model 25 & 30	3	9301AMTK	3
	Delta Performance (all models)	3	SC Vent Kit (Mfg.), EZ Vent Kit (Mfg.), or 9301AMTK	3
Utica Boilers	DV & DVA -38 thru -125	3	9301UTI	3
	DV & DVA -150 thru -200	4	9401UTI	8
	DVB -50 thru -125	3	9301UTI	3
	DVB -150 thru -200	4	9401UTI	9
	USC Series Boiler (all sizes)	3	9301UTI	3
Vaillant	GA100PV & SC (all models)	3	9301VAIL	4
	GA92160PV	4	9401VAIL	9
Viessmann	Vitogas 050 ECV (all models)	3	9363	10
	Vitogas 100 GS10-72	8	5801BOI or CCA08ADUV	10 & 11
	Vitogas 100 GS10-84	9	5901BOI or CCA09ADUV	10 & 11
	Vitogas 100 GS10-96	10	51001BOI or CCA10ADUV	10 & 11
	Vitoden 200 WB2 6-24 & 8-32	3	9301VSMN	3
	Vitoden WB2 11-44 & 15 -60	4	9401VSMN	9
	Vertomat VSB-17, -22, -28	8	5801BOI or CCA08ADUV	10 & 11
	Vertomat VSB-37, -46, -57	10	51001BOI or CCA10ADUV	10 & 11
	Vertomat VSB-72, -89	12	51201BOI or CCA12ADUV	10 & 11
WaiWela	PH28RIFS & PH28CIFS	4	9401RHM	9

# Saf-T Vent® Appliance Adapters

Manufacturer	Make & Model	Flue Collar Diameter	Adapter Part #	Page
Weben Jarco	Vision 3000 750	6	Factory Supplied (HF)	
	Vision 3000 1000	8	Factory Supplied (HF)	
	Vision 3000 1500 & 2000	10	Factory Supplied (HF)	
	E-Finiti E_020	3	5301BOI	10
	E-Finiti E_040, E_060	4	5401BOI	10
	E-Finiti E_075, E_100	6	5601BOI or CCA06ADUV	10 & 11
	E-Finiti E_125, E_150	8	5801BOI or CCA08ADUV	10 & 11
	E-Finiti E_175, E_200	10	51001BOI or CCA10ADUV	10 & 11
Weil-McLain	Gold Series 3 & 4 (all models)	3	93WMSTXL	6
	Gold Series 2 (all models)	3	93WMSTRT (straight) 93WMSTLH (horz. elbow) 93WMSTLV (vert. elbow)	6
	CGi / CGs (all models)	3	93WMCGIS	6
	VHE Series (all models)	3	93WMSTEE	6
	Ultra Series	3	9301CPVC	5
	Ultra Series	4	9401CPVC	7
Westinghouse	see Nordyne			
Williamson-Thermoflo	Gwi / GWs (all models)	3	93WMCGIS	5

# Saf-T Vent<sup>®</sup> Appliance Adapters

---

**Notes:**

---

---